

BALDOR® • RELIANCE 

Product Information Packet

CSPM3558T

2HP,1800RPM,3PH,60HZ,145TC,3530M,TEFC,F3

Part Detail							
Revision:	M	Status:	PRD/A	Change #:		Proprietary:	No
Type:	AC	Elec. Spec:	35WGP840	CD Diagram:	CD0005	Mfg Plant:	
Mech. Spec:	35Y100	Layout:	35LYY100	Poles:	04	Created Date:	01-12-2012
Base:	RG	Eff. Date:	03-13-2018	Leads:	9#18		

Specs			
Catalog Number:	CSPM3558T	Inverter Code:	Inverter Ready
Enclosure:	TEFC	KVA Code:	K
Frame:	145TC	Lifting Lugs:	No Lifting Lugs
Frame Material:	Steel	Locked Bearing Indicator:	Locked Bearing
Output @ Frequency:	2.000 HP @ 60 HZ	Motor Lead Quantity/Wire Size:	9 @ 18 AWG
Synchronous Speed @ Frequency:	1800 RPM @ 60 HZ	Motor Lead Exit:	Ko Box
Voltage @ Frequency:	230.0 V @ 60 HZ	Motor Lead Termination:	Flying Leads
	460.0 V @ 60 HZ	Motor Type:	3530M
XP Class and Group:	None	Mounting Arrangement:	F3
XP Division:	Not Applicable	Power Factor:	89
Agency Approvals:	UR	Product Family:	General Purpose
	CSA	Product Type:	SYNCHRONOUS PERMANENT MAGNET
Auxillary Box:	No Auxillary Box	Pulley End Bearing Type:	Ball
Auxillary Box Lead Termination:	None	Pulley Face Code:	C-Face
Base Indicator:	Rigid	Pulley Shaft Indicator:	Standard
Bearing Grease Type:	Polyrex EM (-20F +300F)	Rodent Screen:	None
Blower:	None	RoHS Status:	ROHS COMPLIANT
Current @ Voltage:	2.500 A @ 460.0 V	Shaft Extension Location:	Pulley End

	5.000 A @ 230.0 V	Shaft Ground Indicator:	No Shaft Grounding
Design Code:	-	Shaft Rotation:	Reversible
Drip Cover:	No Drip Cover	Shaft Slinger Indicator:	No Slinger
Duty Rating:	CONT	Speed Code:	Single Speed
Electrically Isolated Bearing:	Not Electrically Isolated	Motor Standards:	NEMA
Feedback Device:	NO FEEDBACK	Starting Method:	Direct on line
Front Face Code:	Standard	Thermal Device - Bearing:	NONE (OLD)
Front Shaft Indicator:	None	Thermal Device - Winding:	None
Heater Indicator:	No Heater	Vibration Sensor Indicator:	No Vibration Sensor
Insulation Class:	F	Winding Thermal 1:	None
		Winding Thermal 2:	None

Nameplate NP2116L	
CAT.NO.	CSPM3558T
SPEC.	35Y100P840G1
HP	2
VOLTS	230/460
AMP	5/2.5
RPM	1800
FRAME	145TC
HZ	60
PH	3
SER.F.	1.00
CODE	K
DES	-
CL	F
NEMA-NOM-EFF	87.5
PF	89
RATING	40C AMB-CONT
CC	USABLE AT 208V
DE	6205
ODE	6203
ENCL	TEFC
SN	

Parts List		
Part Number	Description	Quantity
SA237344	SA 35Y100P840G1	1.000 EA
RA224276	RA 35Y100P840G1	1.000 EA
S/P111-000-002	CORONA TEST, SUPER E MOTORS - FT. SMITH	1.000 EA
NS2512A01	INSULATOR, CONDUIT BOX X	1.000 EA
35CB4007	KOBX,W/PRIMER (REL# 79097-49-C)	1.000 EA
35GS3009	GASKET, KOBX 35CB4006 (411881-15A)	1.000 EA
WD4101A13	STEEL CAPLUG,BP-1 1/8, PLUG D3561S	1.000 EA
51XB1016A05	10-16X5/16HX WA SL SR TYB (F/S)	2.000 EA
11XW1032G06	10-32 X .38, TAPTITE II, HEX WSHR SLTD U	1.000 EA
HW3001B02	BRASS CUP WASHER W/GROUND SYMBOL TAB,	1.000 EA
35EP3122A00	MASTER ODE,203 BRG,.683SH,#26 DRN,GRSR,F	1.000 EA
HW4500A01	1641B(ALEMITE)400 UNIV, GREASE FITT	1.000 EA
HW5100A03	WAVY WASHER (W1543-017)	1.000 EA
35EP3307D00	MASTER DE,205 BRG,.998SH,#26 DRN,GRSR	1.000 EA
HW4500A01	1641B(ALEMITE)400 UNIV, GREASE FITT	1.000 EA
51XN1032A20	10-32 X 1 1/4 HX WS SL SR	2.000 EA
51XB1214A16	12-14X1.00 HXWSSLD SERTYB	1.000 EA
35FH4005A84SP	IEC FH W/GRSR, NO DIMPLES PRIMED	1.000 EA
51XW1032A06	10-32 X .38, TAPTITE II, HEX WSHR SLTD S	3.000 EA
35CB4519	CB LID W/BLACK PRIMER	1.000 EA
35GS3019A01	LEXIDE GASKET, FOR KOBX LID 35CB4519	1.000 EA
51XW0832A07	8-32 X .44, TAPTITE II, HEX WSHR SLTD SE	4.000 EA
HW2501D13	KEY, 3/16 SQ X 1.375	1.000 EA
HA7000A01	KEY RETAINER 7/8" DIA SHAFT	1.000 EA

Parts List (continued)		
Part Number	Description	Quantity
85XU0407S04	4X1/4 U DRIVE PIN STAINLESS	2.000 EA
HW3001B01	BRASS CUP WASHER, FOR #10 SCREW	1.000 EA
MJ1000A02	GREASE, POLYREX EM EXXON (USe 4824-15A)	0.050 LB
35FN3002A05SP	EXFN, PLASTIC, 6.376 OD, .638 ID	1.000 EA
MG1025N19	WILKOFASST, 778.50, RELIANCE BLUE-GREEN	0.017 GA
HA3100A18	THRUBOLT 10-32 X 9.250	4.000 EA
LC0005E01	CONN.DIA./WARNING LABEL (LC0005/LB1119N)	1.000 EA
NP2116L	ALUM SUPER-E UL CSA CC	1.000 EA
36PA1000	PKG GRP, PRINT PK1016A06	1.000 EA
MN416A01	TAG-INSTAL-MAINT no wire (1200/bx) 5/18	1.000 EA
PE-0000001	ZRTG PE ASSEMBLY	1.000 EA
FE-0000001	ZRTG FE ASSEMBLY	1.000 EA

AC Induction Motor Performance Data

Record # 29214 - Typical performance - not guaranteed values

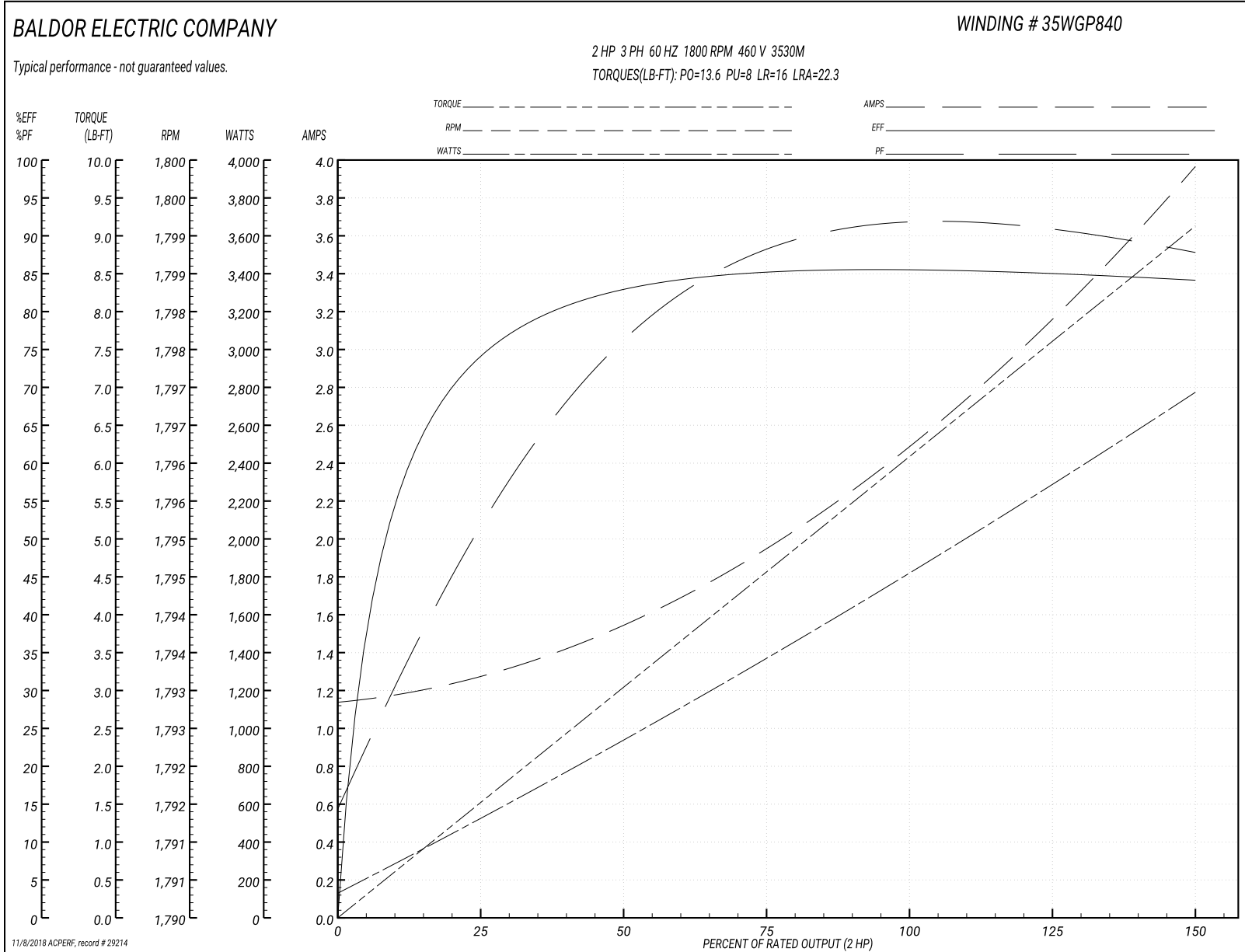
Winding: 35WGP840-R002	Type: 3530M	Enclosure: TEFC
-------------------------------	--------------------	------------------------

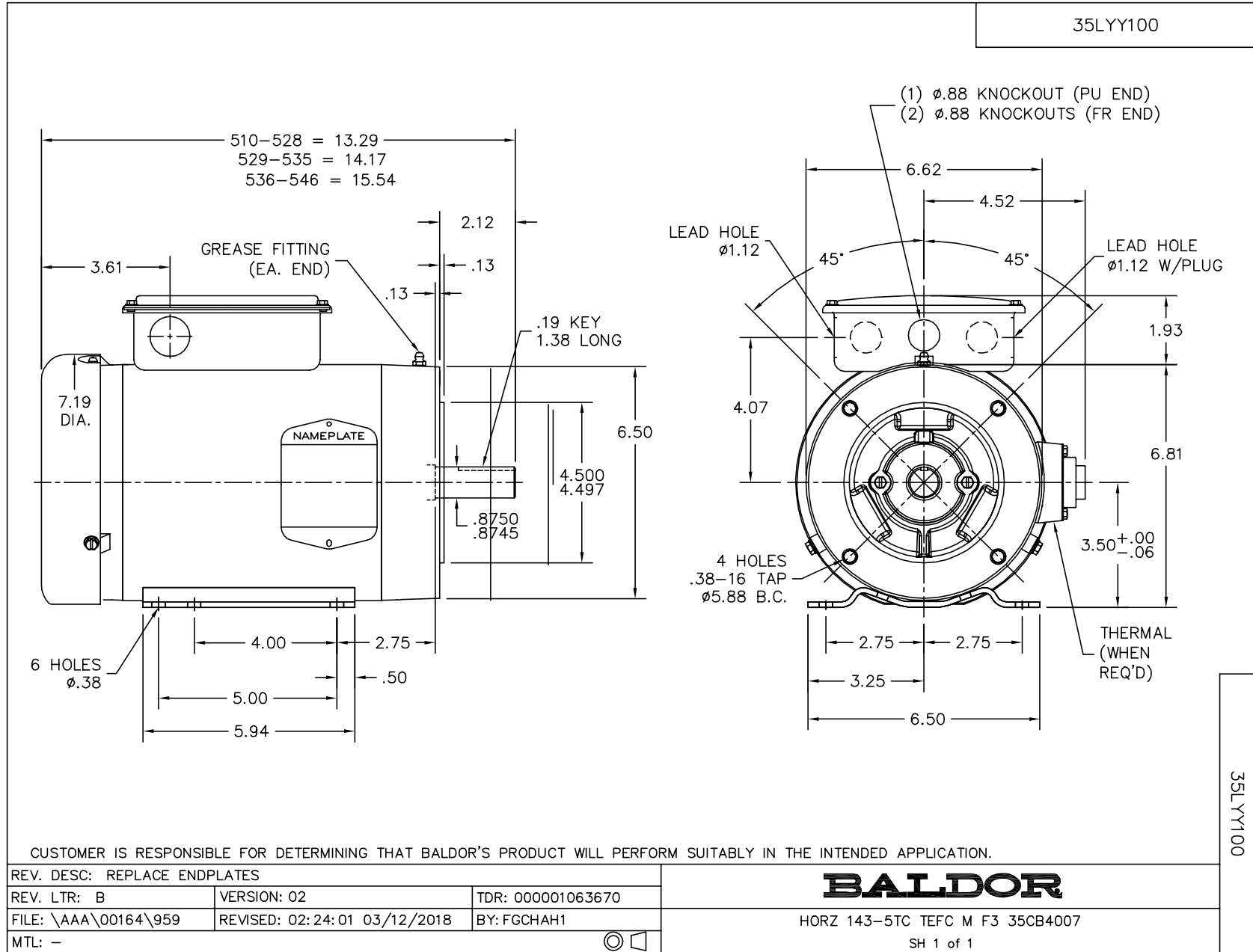
Nameplate Data				460 V, 60 Hz: High Voltage Connection	
Rated Output (HP)	2			Full Load Torque	5.93 LB-FT
Volts	230/460			Start Configuration	direct on line
Full Load Amps	5/2.5			Breakdown Torque	13.6 LB-FT
R.P.M.	1800			Pull-up Torque	8 LB-FT
Hz	60	Phase	3	Locked-rotor Torque	16 LB-FT
NEMA Design Code	-	KVA Code	K	Starting Current	22.3 A
Service Factor (S.F.)	1			No-load Current	1.21 A
NEMA Nom. Eff.	87.5	Power Factor	89	Line-line Res. @ 25°C	9.56 Ω
Rating - Duty	40C AMB-CONT			Temp. Rise @ Rated Load	50°C
				Locked-rotor Power Factor	60
				Rotor inertia	0.178 LB-FT ²

Load Characteristics 460 V, 60 Hz, 2 HP

% of Rated Load	25	50	75	100	125	150
Power Factor	57	79	87	90	90	89
Efficiency	77.5	84.9	86.9	87.5	86.4	84.8
Speed	1800	1800	1800	1800	1800	1800
Line amperes	1.18	1.49	1.93	2.47	3.09	3.92

Performance Graph at 460V, 60Hz, 2.0HP Typical performance - Not guaranteed values





CD0005



LOW VOLTAGE
(2Y)



LINE

HIGH VOLTAGE
(1Y)



LINE

NOTES:

1. INTERCHANGE ANY TWO LINE LEADS TO REVERSE ROTATION.
2. OPTIONAL THERMOSTATS ARE PROVIDED WHEN SPECIFIED.
3. ACTUAL NUMBER OF INTERNAL PARALLEL CIRCUITS MAY BE A MULTIPLE OF THOSE SHOWN ABOVE.
4. LEAD COLORS ARE OPTIONAL. LEADS MUST ALWAYS BE NUMBERED AS SHOWN.

REV. DESC: REVISE TO SHOW OPTIONAL COLORS			
REV. LTR: E	BY: JLP	REVISED: 01/19/99 10:15	TDR: 0171435
90000		FILE: AAA00005140	MDL: -
		MTL: -	

BALDOR ELECTRIC Co.

3PH, DV, 9 LEADS

CD0005